

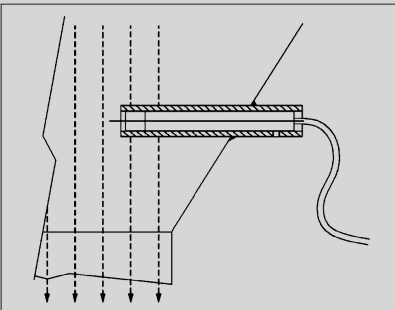
## TEMPTRON, THE TOUGH AND RELIABLE TEMPERATURE SENSOR

TempTron meets the need for temperature monitoring in concrete, asphalt and similar plants where normal sensors just do not last. TempTron has built-in electronics, allowing it to transmit temperature readings for long distances with its 2-wire analog connection. Its standard process-control output matches PLC and computer inputs to allow simple setup of both indicators and temperature control systems.

- Rugged Stainless steel construction
- Thermally conductive cap allows fast response
- Mounting options to suit bins, silos, conveyors and mixers
- Indication in either Celsius or Fahrenheit
- 0 – 100°C sensing range (32 – 212°F)
- Analog 4-20mA output – compatible with most PLC & PC controllers
- Meets UL and CE requirements
- Designed and manufactured in North America

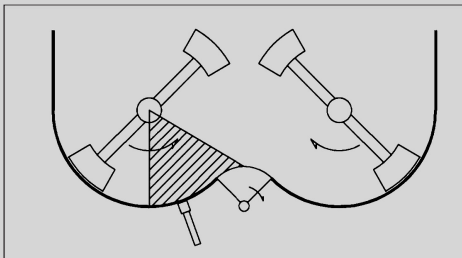


### Mounting in bins and silos



To monitor correctly and with fast response, the sensing cap needs to be in the flow region where material is drawn from the vessel.

### Mounting in mixers

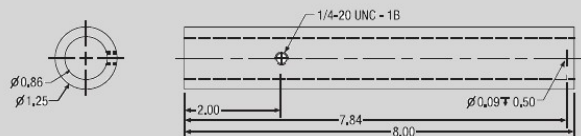


Two options are available for monitoring the temperature of material inside a mixer:

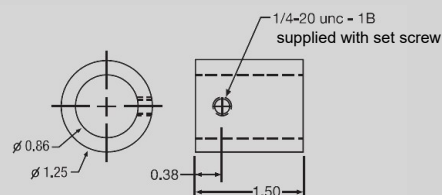
**LOWEST WEAR** – the sensor is mounted via the optional mixer mount so that the sensing cap is in contact with the underside of a liner plate. Heat conducted through the liner is passed to the sensing cap through heat conductive paste to give accurate temperature indication.

**FASTEST RESPONSE** – a hole can be cut through the liner plate, allowing the sensing cap to protrude to just below the surface of the liner. This gives the fastest response time but creates some wear of the cap.

### BIN / SILO MOUNT



### MIXER MOUNT



## SPECIFICATIONS

**Dimensions:** 22.5mm x 165mm long with 3.65m cable (7/8" x 6-1/2" long with 12' cable).

**Probe Material:** Stainless Steel body with brass sensor head.

**Cable Material:** PVC, 4-conductor.

**Protection:** IP68 (NEMA 6P), hermetically sealed.

**Temperature Range:** 0°C – 100°C (32°F – 212°F).

**Power:** 9 - 32VDC.

**Output:** 4-20 mA for specified temperature range.

**Accuracy:** ± (0.25% / °C + 0.40% of span) with 1-point calibration.

± (0.10% / °C + 0.10% of calibrated span) with 2-point calibration.

**Long term Drift:** ≤ 0.1% FS

## DISPLAY VARIATIONS

### Digital Display Only for panel mounting

3 ½ digit (0-100.0°C or 0-199.9°F), 15mm (0.6") LCD digits.

Specify °C or °F at time of order. Loop powered – display and sensor require a source of DC power.

### Digital Display in wallmount enclosure

Up to 5 digital displays can be mounted in a single dust proof enclosure.

Waterproof enclosures are available on special order.

scaleton.com  
info@scaleton.com  
+1 514-940-0337

2113C St Regis, Dollard des Ormeaux, Quebec  
Canada H9B 2M9